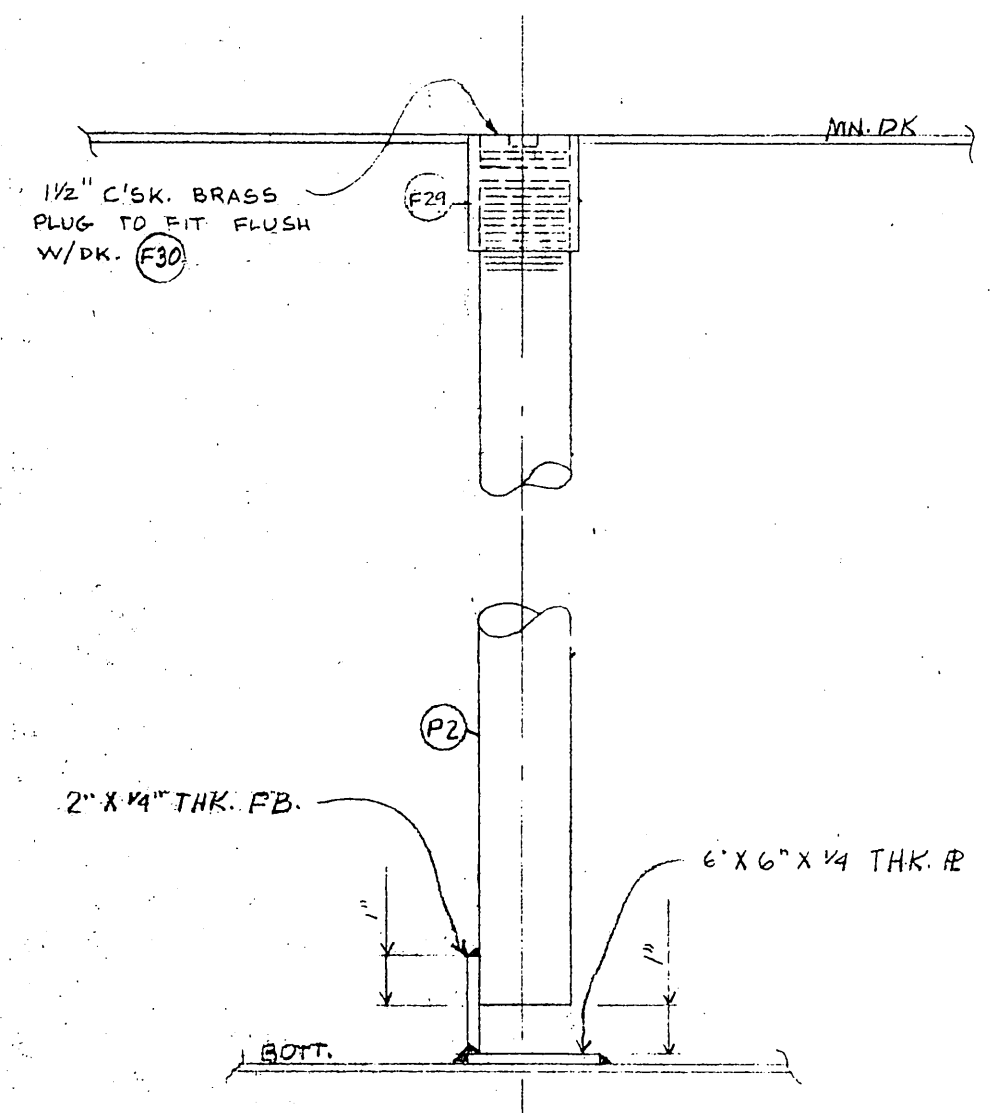
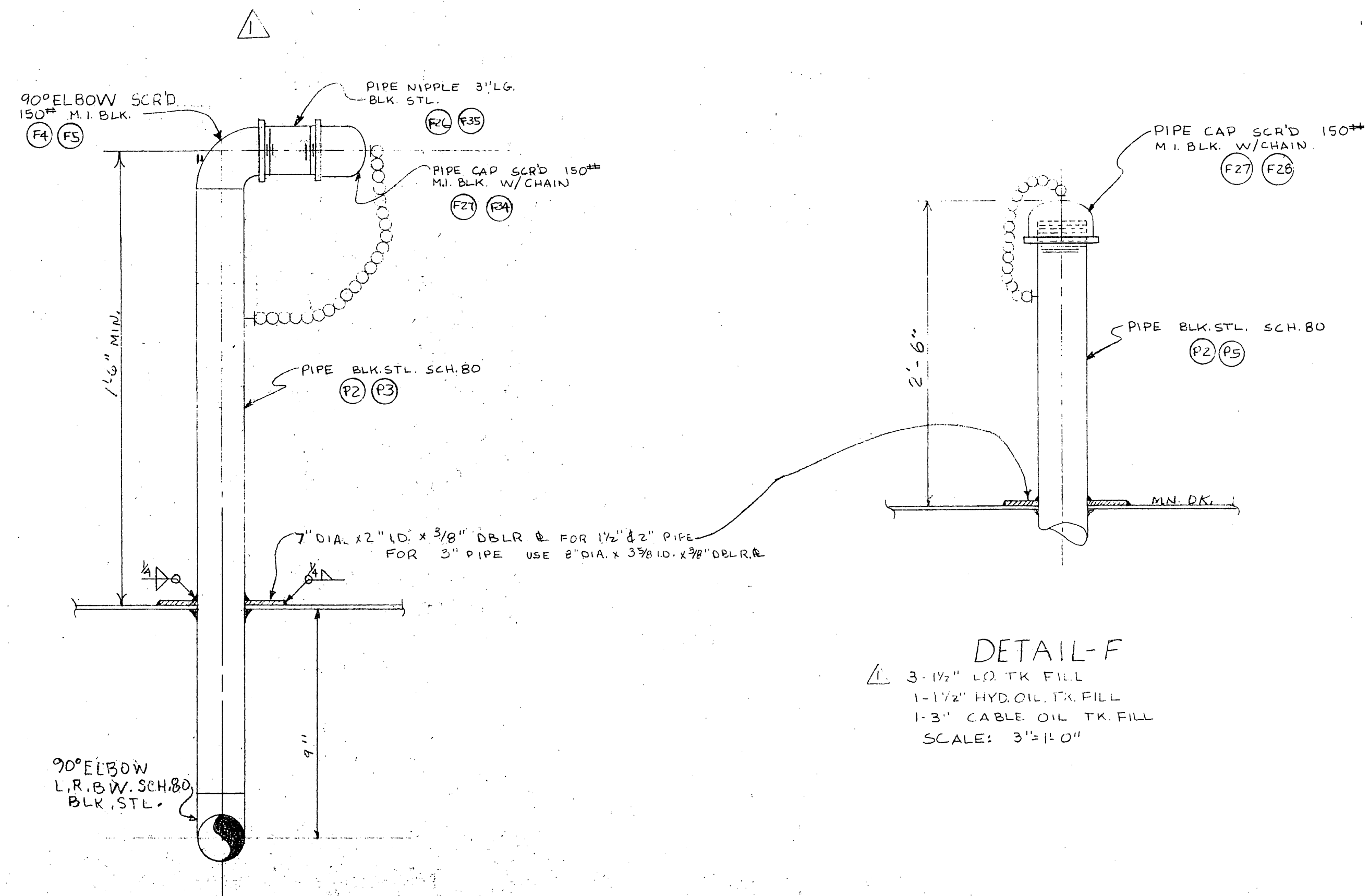


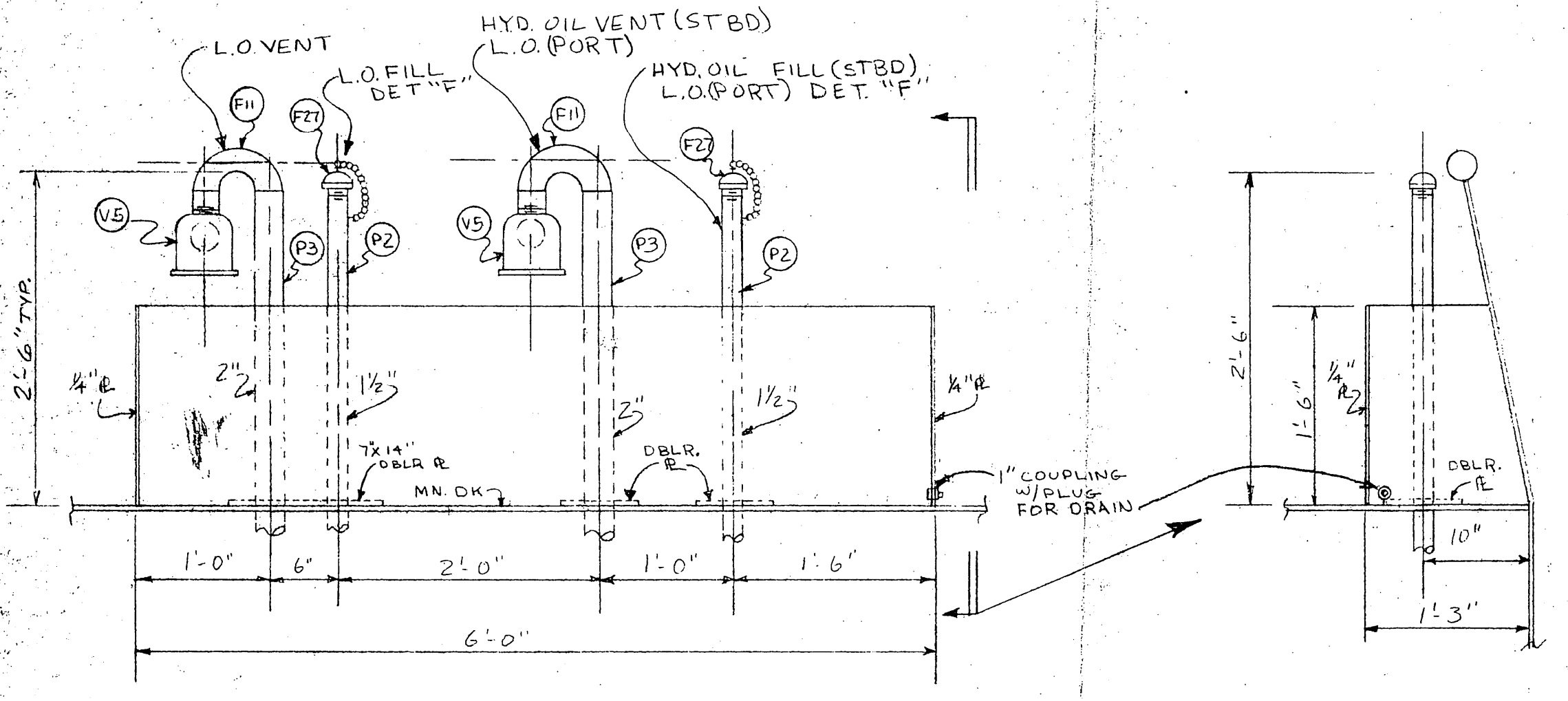
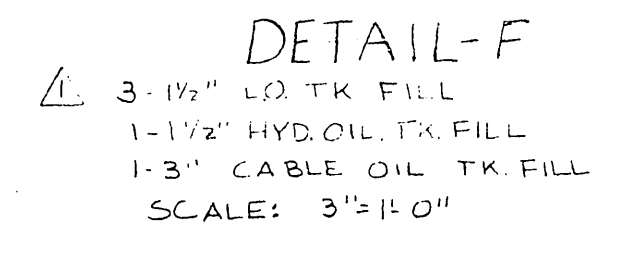
REV. MK	DESCRIPTION	BY	DATE	APPROV.
1	REVISED DWG. PER OWNER'S MARKED UP PRINT	MB	7/30/94	PCB



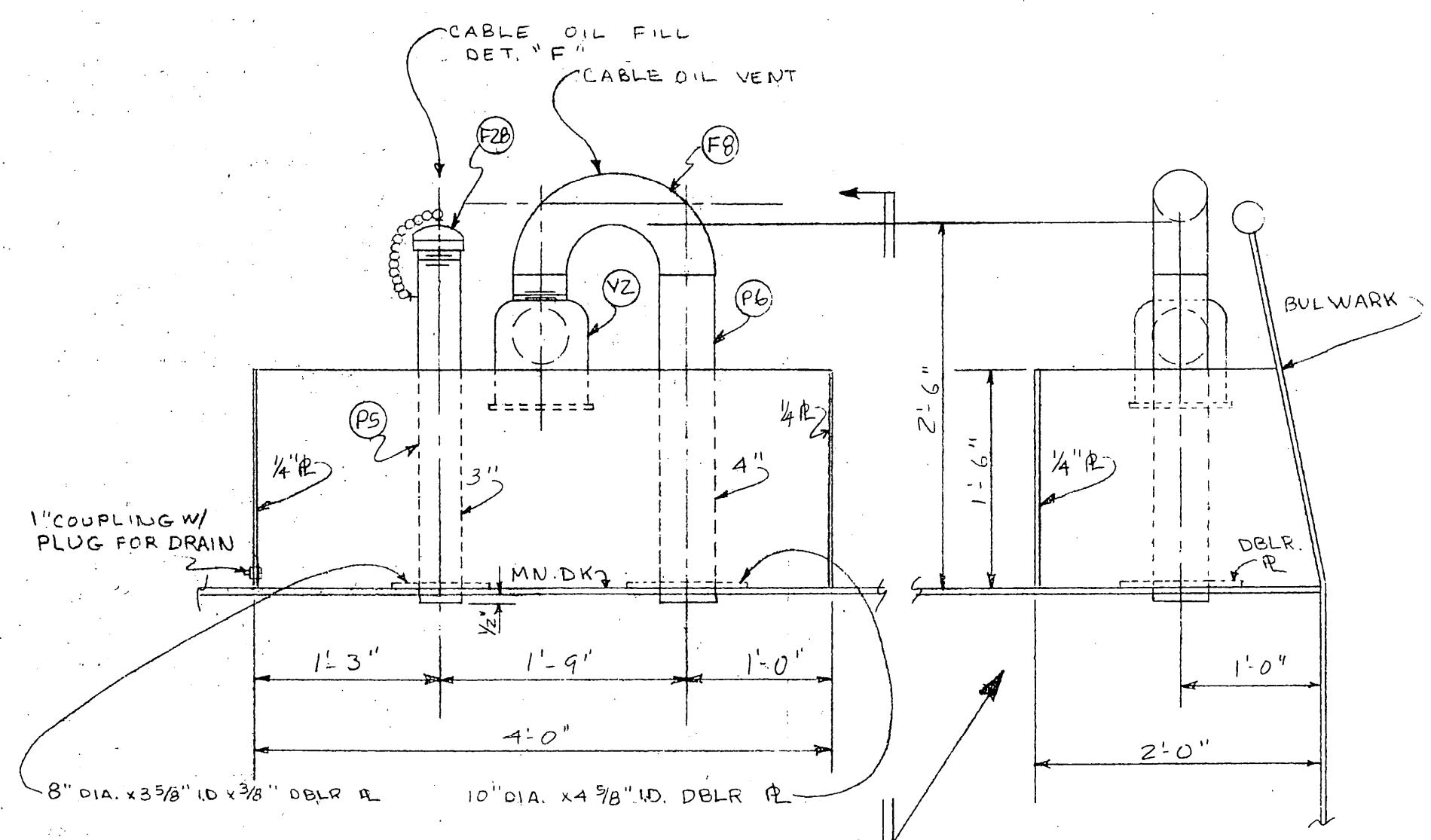
TYP. SOUNDING TUBE DETAIL
SCALE: 3"=1'-0"



TYP. FILL DET. SCALE: 3"=1'-0"



DETAIL "C" SCALE: 1"=1'-0"



DETAIL "D" SCALE: 1"=1'-0"

PC. MK.	QTY.	SIZE	DESCRIPTION	MATL.	REMARKS
P1	10'	1"	PIPE SCH 80 SMLS	BLK. STL.	ASTM A53 GR. B. ANSI B36.10
P2	262'	1 1/2"			
P3	165'	2"			
P4	20'	2 1/2"			
P5	8'	3"			
P6	3'	4"			
P7	200'	5"			
F1	11	5"	90° ELBOW L.R. B.W. SCH 80 SMLS		ASTM A234 GR. B. ANSI B16.9
F2	1	3"			
F3	2	2 1/2"			
F4	4	2"			
F5	2	1 1/2"			
F6	6	5"	180° RETURN S.R. B.W. SCH 80 SMLS		
F7	8	5"	180° RETURN L.R. B.W. SCH 80 SMLS		
F8	1	4"			
F9	1	3"			
F10	4	2 1/2"			
F11	11	2"			
F12	2	1 1/2"			
F16	14	5"	PIPE NIPPLE SCH 80 SMLS T.O.E.		ASTM A53 GR. B. ANSI B36.10
F17	1	4"			
F18	1	3"			
F19	4	2 1/2"			
F20	11	2"			
F21	2	1 1/2"			
V1	14	5"	VENT CHECK VALVE SCR'D	BRZ.	HEMARCO NO. VC100 OR EQUAL
V2	1	4"			
V3	1	3"			
V4	4	2 1/2"			
V5	11	2"			
V6	2	1 1/2"			
V7	6	1"	GATE VALVE SCR'D 150#	BRZ.	CRANE #431-UB OR EQ. ASTM B82
F24	6	1"	PIPE PLUG SQ. HD. 3000# SCR'D	FORGE STL.	GRINNEL OR EQ. ASTM A192 ANSI B16.3
F25	6	1 1/2"	90° ELBOW SCR'D 150#	M. BLK.	GRINNEL OR EQ. ASTM A197 ANSI B16.3
F26	2	1 1/2"	PIPE NIPPLE 3" LG. SCR'D SCH 80	BLK. STL.	GRINNEL OR EQ. ASTM A53 GR. B. ANSI B36.10
F27	6	1 1/2"	PIPE CAP SCR'D 150# W/CHAIN	M. I. BLK.	GRINNEL OR EQ. ASTM A197 ANSI B16.3
F28	1	3"			
F29	16	1 1/2"	FULL COUPLING SCR'D 3000#	FORGE STL.	GRINNEL OR EQ. ASTM A192 ANSI B16.3
F30	16	1 1/2"	C/SK. PLUG SCR'D	BRASS	
F31	6	1"	FULL COUPLING SCR'D 3000#	FORGE STL.	GRINNEL OR EQ. ASTM A192 ANSI B16.3
F35	4	2"	90° ELBOW SCR'D 150#	M. I. BLK.	ASTM A197 ANSI B16.3
F34	4	2"	PIPE CAP SCR'D 150# W/CHAIN	BLK. STL.	GRINNEL OR EQ. ASTM A53 GR. B. ANSI B36.10
F35	8	2"	PIPE NIPPLE 3" LG. SCR'D SCH 80	BLK. STL.	GRINNEL OR EQ. ASTM A53 GR. B. ANSI B36.10
V8	2	1 1/2"	QUICK OPENING SELF-CLOSING GATE VALVE SCR'D	BRONZE	POWELL FIG. NO. 355-0 OR EQ. ASTM B67

CHECK FOR INTERFERENCES

DESIGN ASSOCIATES, INC.
 NAVAL ARCHITECTS MARINE ENGINEERS
 NEW ORLEANS, LA.

TIDEWATER MARINE SERVICE
 MISSISSIPPI MARINE TOWBOAT HULL #90

143' X 36' X 10' SEISMIC VESSEL

DETAILS OF FILL, VENT, & SOUNDING

Drawn: B.A., M.B. Date: Checked: PCB
 Traced: Date: Checked:
 Aprvd: Date: Scale: 3"=1'-0"
 Sheet 2 Of 2 Drawing No. C-2062-33 Revision Mark